

DESCRIPTION

The MXLFAV150 is a family of constant voltage LED drivers designed for indoor or outdoor applications.

Its wide range input voltage and small form factor, makes it suitable for use in both industrial and domestic environments.

FEATURES

- 150W max output power
- Constant voltage output
- High PF
- Low THD
- Dimmable 0 – 10 V
- Wide input range 120– 277 VAC



ELECTRICAL SPECIFICATIONS

Parameter	12V	24V	Units
Input voltage	120 - 277	120 - 277	VAC
Output voltage	12	24	VDC
Input current	1.4 @120V; 0.6 @277V	1.4 @120V; 0.6 @277V	Amp
Output current	1.25 - 12.5	0.625- 6.25	Amp
Leakage current	0.75	0.75	mA
Output power	150	150	W
Frequency	50 / 60	50 / 60	Hz
Power factor	0.95	0.95	-
THD	20	20	%
Efficiency	90	91	%
Protections	OVP, OTP, SC		

OPERATING SPECIFICATIONS

Parameter	Value	Units
Operating temperature	-40 to +90	°C
Operating humidity	Damp locations	
Isolation voltage (Input to Output)	1860	V

*The specifications are subject to change without notice.

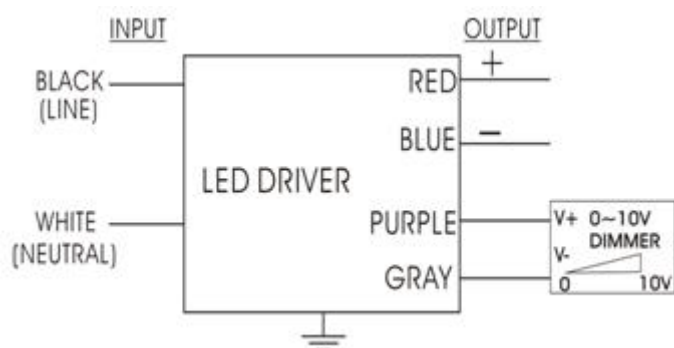
SAFETY AND STANDARD COMPLIANCE

UL compliance UL 8750, UL 1012, CSA-C22.2 No. 250.13, CSA-C22.2 No. 107.1

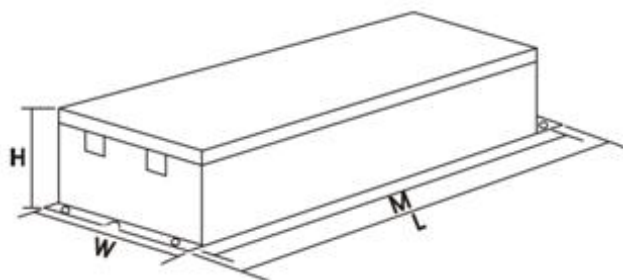
FAMILY MODELS

Family model	Output Power	Output Voltage	Output Current (Full load)
MXLFAV150012V06A	150W	12VDC	12.5A
MXLFAV150024V06A	150W	24VDC	6.25A

CONNECTION WIRING



DIMENSIONS



Length(L)	Width(W)	Height(H)	Mounting(M)
24.1cm	6.6cm	4.05cm	22.6cm
9.5"	2.59"	1.6"	8.9"

*The specifications are subject to change without notice.



INSPIRING TRUST

1651 E. St. Andrew Place
 Santa Ana, CA 92705 USA
 Tel. (714) 258-0263
 Fax. (714) 258-8108
www.mxlightforce.com