

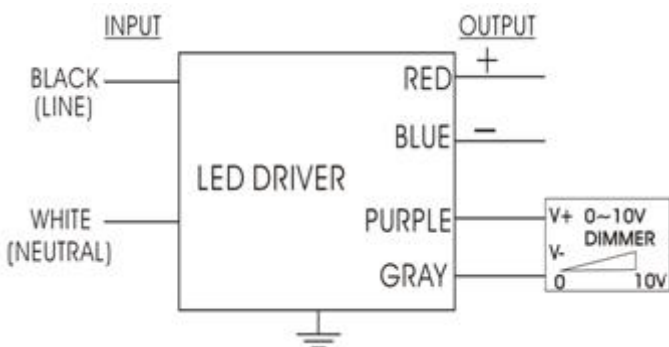
SAFETY AND STANDARD COMPLIANCE

UL compliance UL 8750, UL 1012, CSA-C22.2 No. 250.13, CSA-C22.2 No. 107.1

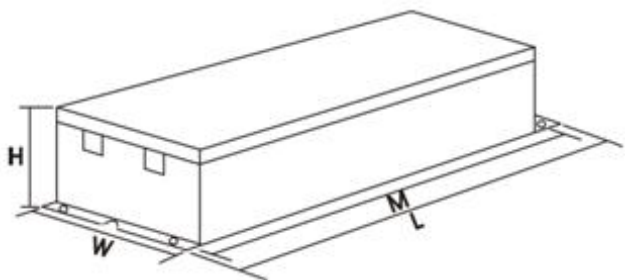
G81LD

<input type="checkbox"/>	<input type="checkbox"/>	<input type="checkbox"/>	<input type="checkbox"/>
CN	1	12VDC	8.0
CN	1	24VDC	4.1

CONNECTION WIRING



DIMENSIONS



Length(L)	Width(W)	Height(H)	Mounting(M)
(c)	,c)c	((c
	(

WdiWdYVdn e