

DESCRIPTION

The MXLFZV080 is a constant voltage LED driver for indoor applications. Its aluminum case makes these devices an excellent choice for industrial and domestic applications.

FEATURES

Class 2

Constant Voltage Output

Dimming: TRIAC; Strong compatibility, flicker-free dimming

IP Rating: IP66

Housing Material: Aluminum



ELECTRICAL SPECIFICATIONS

Parameter	Nominal	Maximum	Units
Rated Input Voltage	100	130	Vac
Input Current (Full load)	1	1.02	Amp
Output Power	80	-	W
Input Frequency	47	63	Hz
Power Factor (Full load)	≥0.95	-	-
Efficiency (Full load)	83%	84%	η
Protections	Over current (1.2x output) / Short circuit (hiccup mode; auto recovery if fault removed) Overloading (≤120% loading) Over temperature (100°C ± 10°C) / auto recovery when temperature drops off		

OPERATING SPECIFICATIONS

Parameter	Value	Units
Operating Ambient Temperature	-40 ... + 60	°C
Working Humidity	20% - 90%	RH
Isolation	1.5K	Vac

SAFETY AND STANDARD COMPLIANCE

Safety Standards	ETL Listed, UL8750+UL1310
EMC Emission	FCC Part 15 B

*The specifications are subject to change without notice.

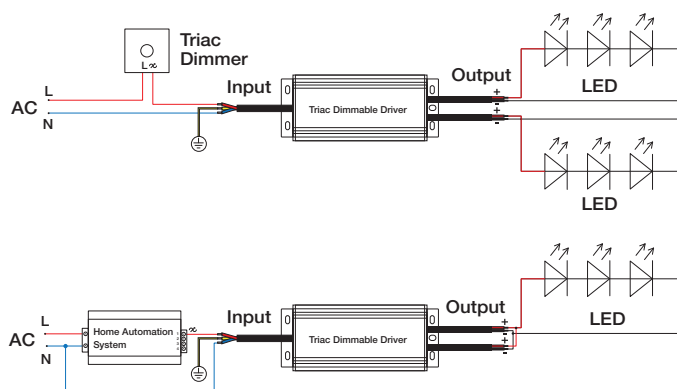
PART NUMBER

Family members	Junction box	Output Power	Output Voltage	Output Current (Full load)
MXLFZV080012TV6A	NO	80W	12VDC	6.66A
MXLFZV080024TV6A	NO	80W	24VDC	3.33A
MXLFZV080012TV6AJ	YES	80W	12VDC	6.66A
MXLFZV080024TV6AJ	YES	80W	24VDC	3.33A

NOTE

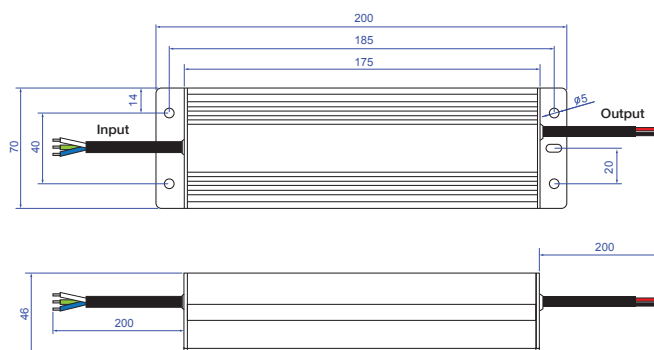
1. All parameters if NOT specially mentioned are measured at 120VAC input, rated load and 25°C of ambient temperature.
2. Loading should be 60-100%.

CONNECTIONS



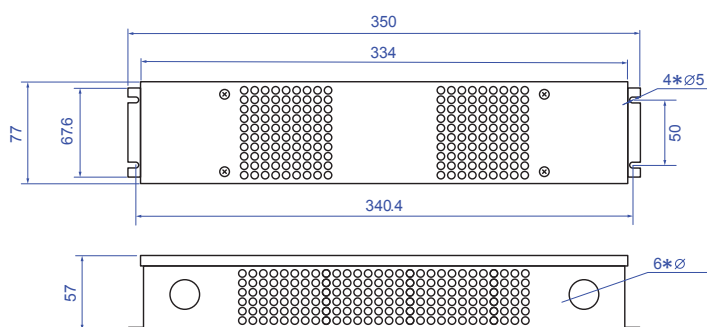
HOUSING

Dimensions (LxWxH): 200 x 70 x 46mm
 Net weight: 1.05Kg



JUNCTION BOX

Dimensions (LxWxH): 350 x 77 x 57mm
 Net weight: 1.53Kg



*The specifications are subject to change without notice.