

## DESCRIPTION

The MXLFZV060 is a constant voltage LED driver for indoor applications. Its aluminum case makes these devices an excellent choice for industrial and domestic applications.

## FEATURES

Class 2

Constant Voltage Output

**Dimming:** TRIAC; Strong compatibility, flicker-free dimming

**IP Rating:** IP66

**Housing Material:** Aluminum



## ELECTRICAL SPECIFICATIONS

Parameter	Nominal	Maximum	Units
Rated Input Voltage	100	130	Vac
Input Current (Full load)	0.76	0.77	Amp
Output Power	60	-	W
Input Frequency	47	63	Hz
Power Factor (Full load)	≥0.95	-	-
Efficiency (Full load)	83%	84%	η
Protections	Over current (1.2x output) / Short circuit (hiccup mode; auto recovery if fault removed) Overloading (≤120% loading) Over temperature (100°C ± 10°C) / auto recovery when temperature drops off		

## OPERATING SPECIFICATIONS

Parameter	Value	Units
Operating Ambient Temperature	-40 ... + 60	°C
Working Humidity	20% - 90%	RH
Isolation	1.5K	Vac

## SAFETY AND STANDARD COMPLIANCE

Safety Standards	ETL Listed, UL8750+UL1310
EMC Emission	FCC Part 15 B

\*The specifications are subject to change without notice.

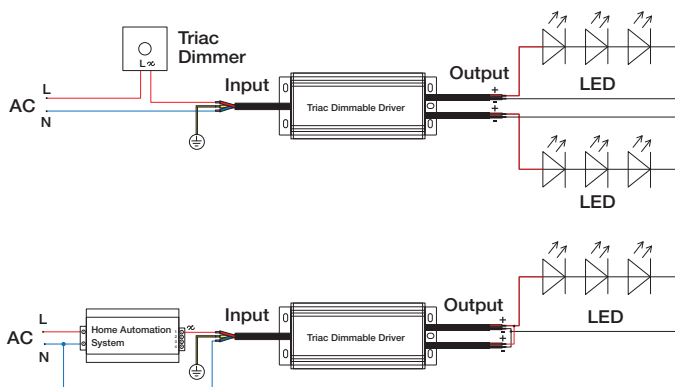
**PART NUMBER**

Family members	Junction box	Output Power	Output Voltage	Output Current (Full load)
MXLFZV060012TV6A	NO	60W	12VDC	5A
MXLFZV060024TV6A	NO	60W	24VDC	2.5A
MXLFZV060012TV6AJ	YES	60W	12VDC	5A
MXLFZV060024TV6AJ	YES	60W	24VDC	2.5A

**NOTE**

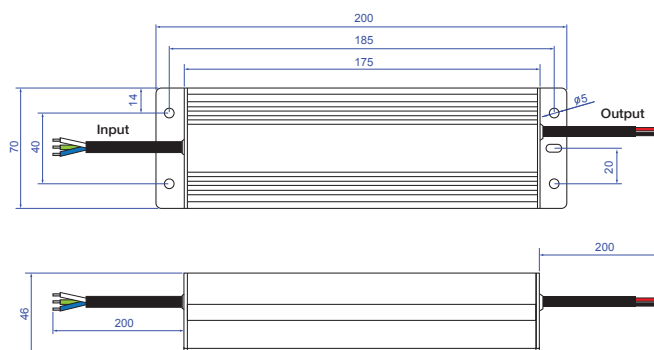
1. All parameters if NOT specially mentioned are measured at 120VAC input, rated load and 25°C of ambient temperature.
2. Loading should be 60-100%.

**CONNECTIONS**

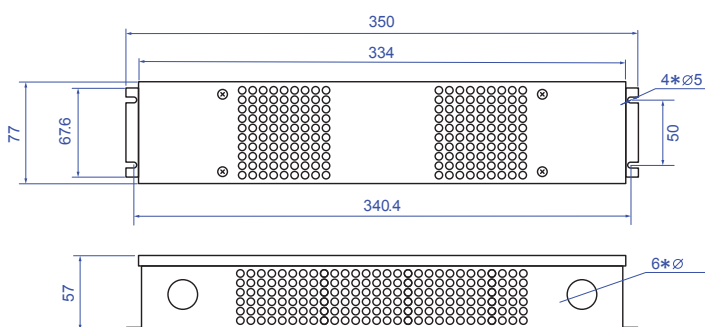


**HOUSING**

Dimensions (LxWxH): 200 x 70 x 46mm  
 Net weight: 1.05Kg



**JUNCTION BOX**



\*The specifications are subject to change without notice.