

DESCRIPTION

The MXLFZV020 is a constant voltage LED driver for indoor applications. Its plastic case makes these devices an excellent choice for industrial and domestic applications.

FEATURES

Class 2

Constant Voltage Output

Dimming: TRIAC; Strong compatibility, flicker-free dimming

IP Rating: IP20

Housing Material: Plastic



ELECTRICAL SPECIFICATIONS

Parameter	Nominal	Maximum	Units
Rated Input Voltage	100	130	Vac
Input Current (Full load)	0.24	0.26	Amp
Output Power	20	-	W
Input Frequency	47	63	Hz
Power Factor (Full load)	≥0.95	-	-
Efficiency (Full load)	80%	82%	η
Protections	Over current (1.2x output) / Short circuit (hiccup mode; auto recovery if fault removed) Overloading (≤120% loading) Over temperature (100°C ± 10°C) / auto recovery when temperature drops off		

OPERATING SPECIFICATIONS

Parameter	Value	Units
Operating Ambient Temperature	-40 ... + 60	°C
Working Humidity	20% - 90%	RH
Isolation	1.5K	Vac

*The specifications are subject to change without notice.

SAFETY AND STANDARD COMPLIANCE

Safety Standards	ETL Listed, UL8750+UL1310
EMC Emission	FCC Part 15 B

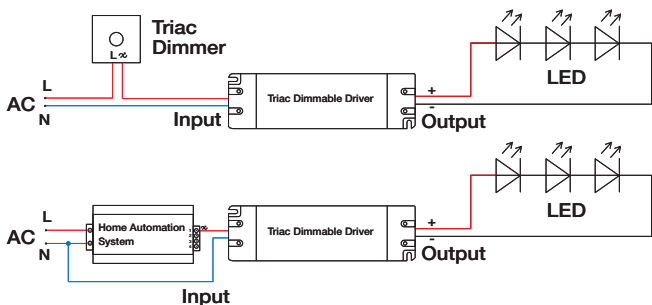
PART NUMBER

Family members	Output Power	Output Voltage	Output Current (Full load)
MXLFZV020012TV2A	20W	12VDC	1.67A
MXLFZV020024TV2A	20W	24VDC	0.83A

NOTE

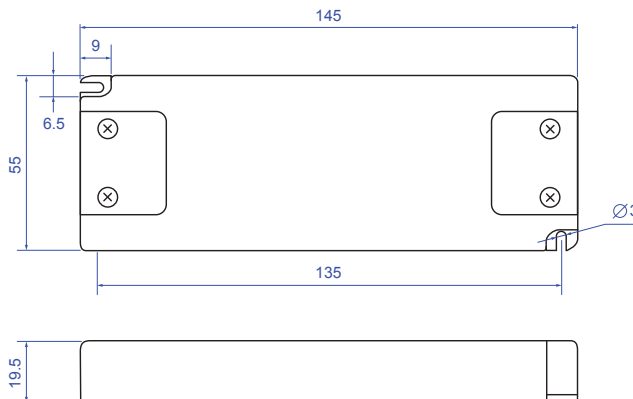
1. All parameters if NOT specially mentioned are measured at 120VAC input, rated load and 25°C of ambient temperature.
2. Loading should be 60-100%.

CONNECTIONS



HOUSING

Dimensions (LxWxH): 145 x 55 x 19.5mm
Net weight: 0.2Kg



*The specifications are subject to change without notice.



INSPIRING TRUST

1651 E. St. Andrew Place
 Santa Ana, CA 92705 USA
 Tel. (714) 258-0263
 Fax. (714) 258-8108
 www.mxlightforce.com