

## DESCRIPTION

The MXLFZV010 is a constant voltage LED driver for indoor applications. Its plastic case makes these devices an excellent choice for industrial and domestic applications.

## FEATURES

Class 2

Constant Voltage Output

**Dimming:** TRIAC; Strong compatibility, flicker-free dimming

**IP Rating:** IP20

**Housing Material:** Plastic



## ELECTRICAL SPECIFICATIONS

Parameter	Nominal	Maximum	Units
Rated Input Voltage	100	130	Vac
Input Current (Full load)	0.12	0.13	Amp
Output Power	10	-	W
Input Frequency	47	63	Hz
Power Factor (Full load)	≥0.95	-	-
Efficiency (Full load)	80%	82%	η
Protections	Over current (1.2x output) / Short circuit (hiccup mode; auto recovery if fault removed) Overloading (≤120% loading) Over temperature (100°C ± 10°C) / auto recovery when temperature drops off		

## OPERATING SPECIFICATIONS

Parameter	Value	Units
Operating Ambient Temperature	-40 ... + 60	°C
Working Humidity	20% - 90%	RH
Isolation	1.5K	Vac

\*The specifications are subject to change without notice.

**SAFETY AND STANDARD COMPLIANCE**

Safety Standards	ETL Listed, UL8750+UL1310
EMC Emission	FCC Part 15 B

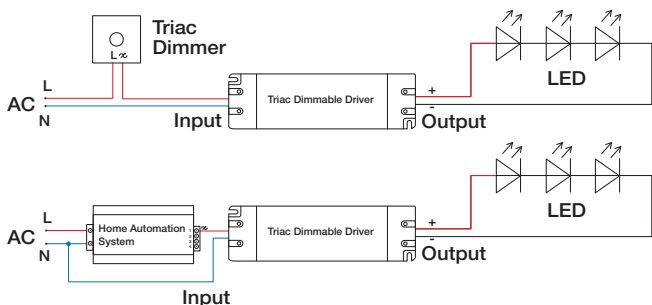
**PART NUMBER**

Family members	Output Power	Output Voltage	Output Current (Full load)
MXLFZV010012TV2A	10W	12VDC	0.83A
MXLFZV010024TV2A	10W	24VDC	0.42A

**NOTE**

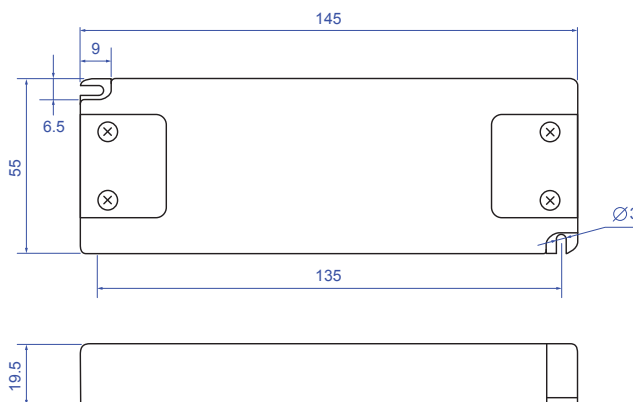
1. All parameters if NOT specially mentioned are measured at 120VAC input, rated load and 25°C of ambient temperature.
2. Loading should be 60-100%.

**CONNECTIONS**



**HOUSING**

**Dimensions (LxWxH):** 145 x 55 x 19.5mm  
**Net weight:** 0.2Kg



\*The specifications are subject to change without notice.